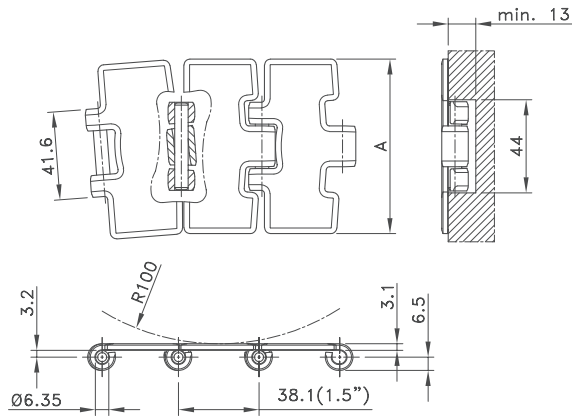
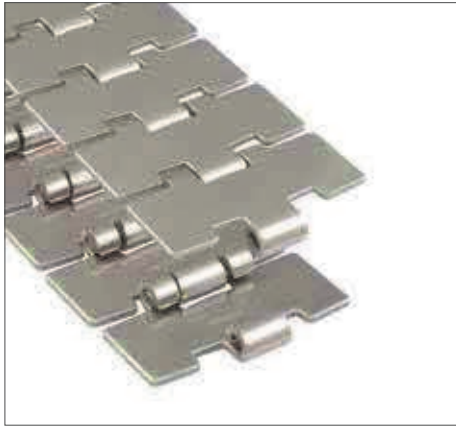


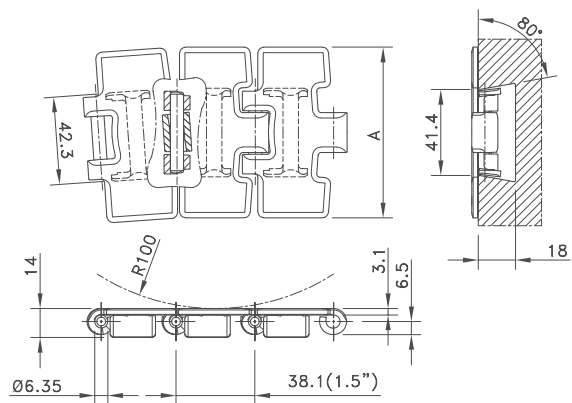
Magnetflex® Single Hinge Max-Line



| Chain Type | Code Number | Plate Width A | | Weight kg/m | Surface Flatness (max.) mm | Polished Hinge Eyes | Working Load (max.) N |
|----------------------|-------------|---------------|------|-------------|----------------------------|---------------------|-----------------------|
| | | mm | inch | | | | |
| 10-Series | | | | | | | |
| 10 M 31 M | 767.13.31 | 82.5 | 3.25 | 2.50 | 0.18 | yes | 4950 |
| 10 M 42 M | 767.13.42 | 114.3 | 4.50 | 3.12 | 0.25 | yes | |
| 10 M 72 M | 767.13.72 | 190.5 | 7.50 | 4.59 | 0.60 | yes | |
| 60-Series | | | | | | | |
| 60 M 31 M | 767.53.31 | 82.5 | 3.25 | 2.50 | 0.18 | yes | 6000 |
| 60 M 31 XM | 767.69.31 | 82.5 | 3.25 | 2.50 | 0.08 | yes | |
| 60 M 84 XM | 767.69.84 | 84.0 | 3.30 | 2.52 | 0.08 | yes | |
| 60 M 42 M | 767.53.42 | 114.3 | 4.50 | 3.12 | 0.25 | yes | |
| 60 M 72 M | 767.53.72 | 190.5 | 7.50 | 4.59 | 0.60 | yes | |
| 60-Series HB | | | | | | | |
| 60 M 31 XM HB | 767.69.15 | 82.5 | 3.25 | 2.61 | 0.08 | yes | 6000 |
| 60 M 84 XM HB | 767.69.14 | 84.0 | 3.30 | 2.63 | 0.08 | yes | |
| 66-Series XHB | | | | | | | |
| 66 M 31 XM XHB | 767.09.31 | 82.5 | 3.25 | 2.50 | 0.08 | yes | 6000 |
| 66 M 84 XM XHB | 767.09.84 | 84.0 | 3.30 | 2.52 | 0.08 | yes | |
| 66 M 72 M XHB | 767.03.72 | 190.5 | 7.50 | 4.59 | 0.60 | yes | |

Standard length: 3.048 m - 10 feet (80 links). Sideflex radius min. 500 mm.

Sideflex Single Hinge Bevel Max-Line



| Chain Type | Code Number | Plate Width A | | Weight kg/m | Surface Flatness (max.) mm | Polished Hinge Eyes | Working Load (max.) N |
|------------------|--------------|---------------|------|-------------|----------------------------|---------------------|-----------------------|
| | | mm | inch | | | | |
| Opti-Plus | | | | | | | |
| SSC 8811-K325 | 10.115.21.11 | 82.5 | 3.25 | 2.90 | 0.18 | no | 6000 |
| SSC 8811-K350 | 10.115.21.12 | 88.9 | 3.50 | 3.10 | 0.18 | no | |
| SSC 8811-K450 | 10.115.21.14 | 114.3 | 4.50 | 3.60 | 0.25 | no | |
| SSC 8811-K750 | 10.115.21.16 | 190.5 | 7.50 | 5.30 | 0.60 | no | |

Standard length: 3.048 m - 10 feet (80 links). Sideflex radius min. 500 mm.